

STROBE

PRODUCT SHEET & SPECIFICATIONS

WALL MOUNTED STROBE

(MODELS: STROBE-WM-AMB,
STROBE-WM-BL, STROBE-WM-RED,
STROBE-WM-GR)



DESCRIPTION

The wall mounted strobes provide a wide range of strobe light output options in a single device. The strobes are wall mount, low profile and offer dependable visual alarms for warning and emergency notification. Applications include emergency communication, severe weather, emergency response and many more.

The 24VDC units are available in lens colors of amber, blue, green and red. The strobes offers tamper proof field selectable candela options of 15, 30, 60, 75, and 110 candela.

The strobes includes a 4" mounting bracket and also features a locking mechanism that secures the signal to the bracket without showing any screws. The strobes are ANSI/UL1638 and ANSI/UL464 listed and is also compliant with the rated candela per the polar dispersion requirements of ANSI/UL.

- FEATURES AND CAPABILITIES

- + Nominal voltage 24VDC
- + Tamperproof field selectable candela options of 15, 30, 60, 75, and 110
- + Unit Dimensions: 5" (12.7 cm) H x 4.5" (11.43 cm) W x 2.5" (6.35 cm) D
- + Lens colors available: amber, blue, green and red
- + Input terminals accept 12 to 18 AWG
- + Faceplate available in off-white

STROBE

Model | STROBE-WM-AMB
STROBE-WM-BL
STROBE-WM-RED
STROBE-WM-GR

WALL MOUNTED STROBE

– ORDERING INFORMATION:

Model Number/Body Color/Lens Color

- + STROBE-WM-AMB / White / Amber
- + STROBE-WM-BL / White / Blue
- + STROBE-WM-GR / White / Green
- + STROBE-WM-RED / White / Red

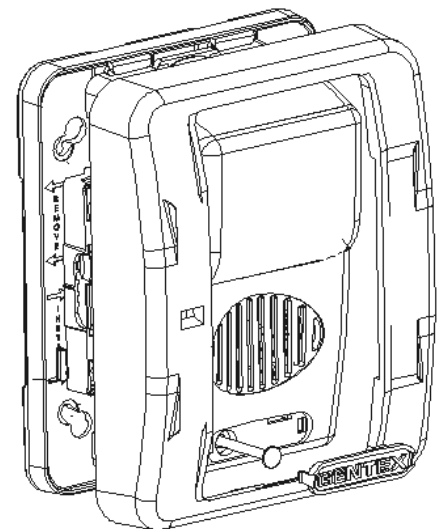
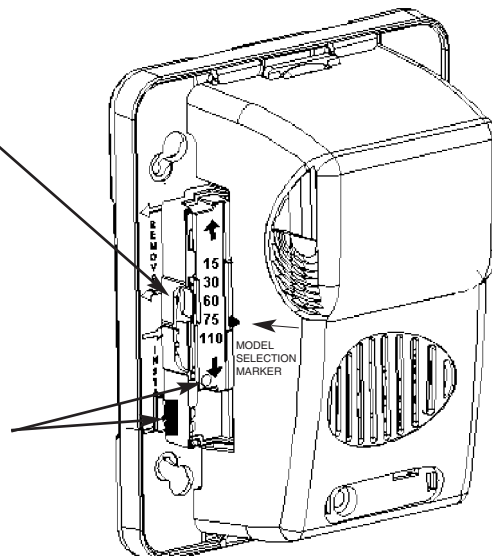
– CURRENT RATINGS:

Amber Lens Strobe Current Ratings					
Candela	15cd	30cd	60cd	75cd	110cd
UL Max ¹	47mA	64mA	113mA	145mA	178mA

Blue, Green and Red Lens Strobe Current Ratings					
Candela	15cd	30cd	60cd	75cd	110cd
UL Max ¹	105mA	130mA	203mA	243mA	310mA

Candela selection slider switch. Depress center and slide switch to desire brightness level.

Break off pin and insert into hole at the bottom of the selector to lock candela setting. Signal must be removed from bracket and pin pushed forward from backside out of hole to change candela.



To remove bezel, grip both sides of bezel and pull in a downward and outward motion.