

SPEAKER

PRODUCT SHEET & SPECIFICATIONS

OUTDOOR PAGING SPEAKER

(MODEL WPSPKR-15)



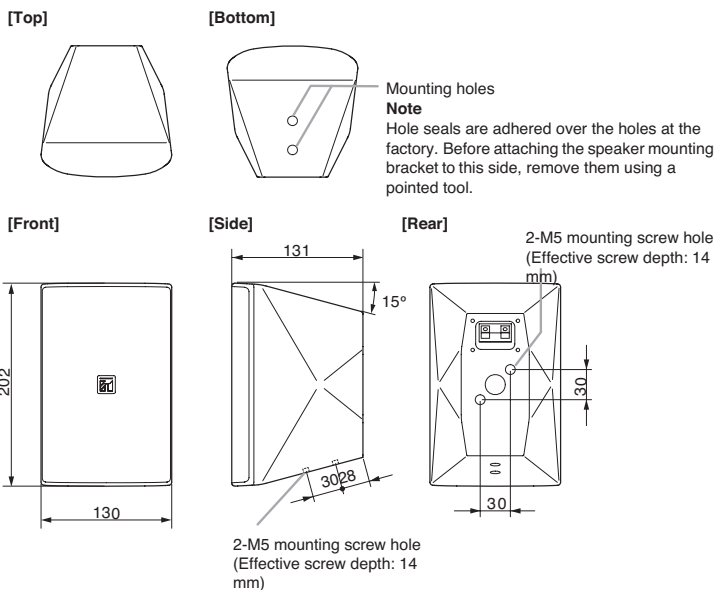
FUNCTION

The Outdoor Paging Speakers are compact two-way speaker systems designed for high efficiency, wide range, and high power input handling capability. These speaker systems can be installed in a manner ideal for the location and intended application.

- FEATURES AND CAPABILITIES

- + 90° horizontal x 90° vertical wide directivity high-frequency horn.
- + Supplied bracket permits mounting to a wall, ceiling, or an optional speaker stand.
- + feature a waterproof design (IPX4 standard) for protection from any adverse effects of outdoor installations.

- DIMENSIONAL DIAGRAM



SPEAKER

OUTDOOR PAGING SPEAKER

Model

WPSPKR -15

– DIMENSIONS

+ 130 (w) x 202 (h) x 131 (d) mm

– WEIGHT

+ 2 kg

– ENCLOSURE TYPE

+ Bass-reflex type

– MESH SPEAKER GRILL

+ Surface-treated steel plate, black, anti-rust paint

– WATER RESISTANCE

+ IPX₄

– INPUT TERMINALS

+ Push in Terminals

– FREQUENCY RESPONSE

+ 85 – 20,000 Hz, –10 dB at installation in a semianechoic field

– SPEAKERS

+ Woofer: 10 cm cone-type
Tweeter: balanced dome-type

– DIRECTIVITY ANGLE

+ Horizontal: 90°, Vertical: 90°

– Crossover FREQUENCY

+ 5 kHz

– OPERATING TEMPERATURE

+ -10 °C to +50 °C

– OUTPUT SOUND PRESSURE LEVEL

+ 87 dB (1 W, 1 m) at installation in a semianechoic field

– RATED IMPEDANCE

+ 670 Ω (15 W), 2 kΩ (5 W), 3.3 kΩ (3 W), 10 kΩ (1 W)

– POWER HANDLING CAPACITY

+ 15W

OTHER SYSTEMS ALSO AVAILABLE

Spectra®, CrossNetOne™, CrosswaysOne™