



INSTALLATION **MANUAL**

MAGNACAST II

1.0 INTRODUCTION

Magnacast II series speaker systems are designed for indoor or outdoor wet applications. The Magnacast II produces 90 degrees of acoustic energy and excels in high ambient noise environments. It has an operating temperature range of -20°C to 60°C.

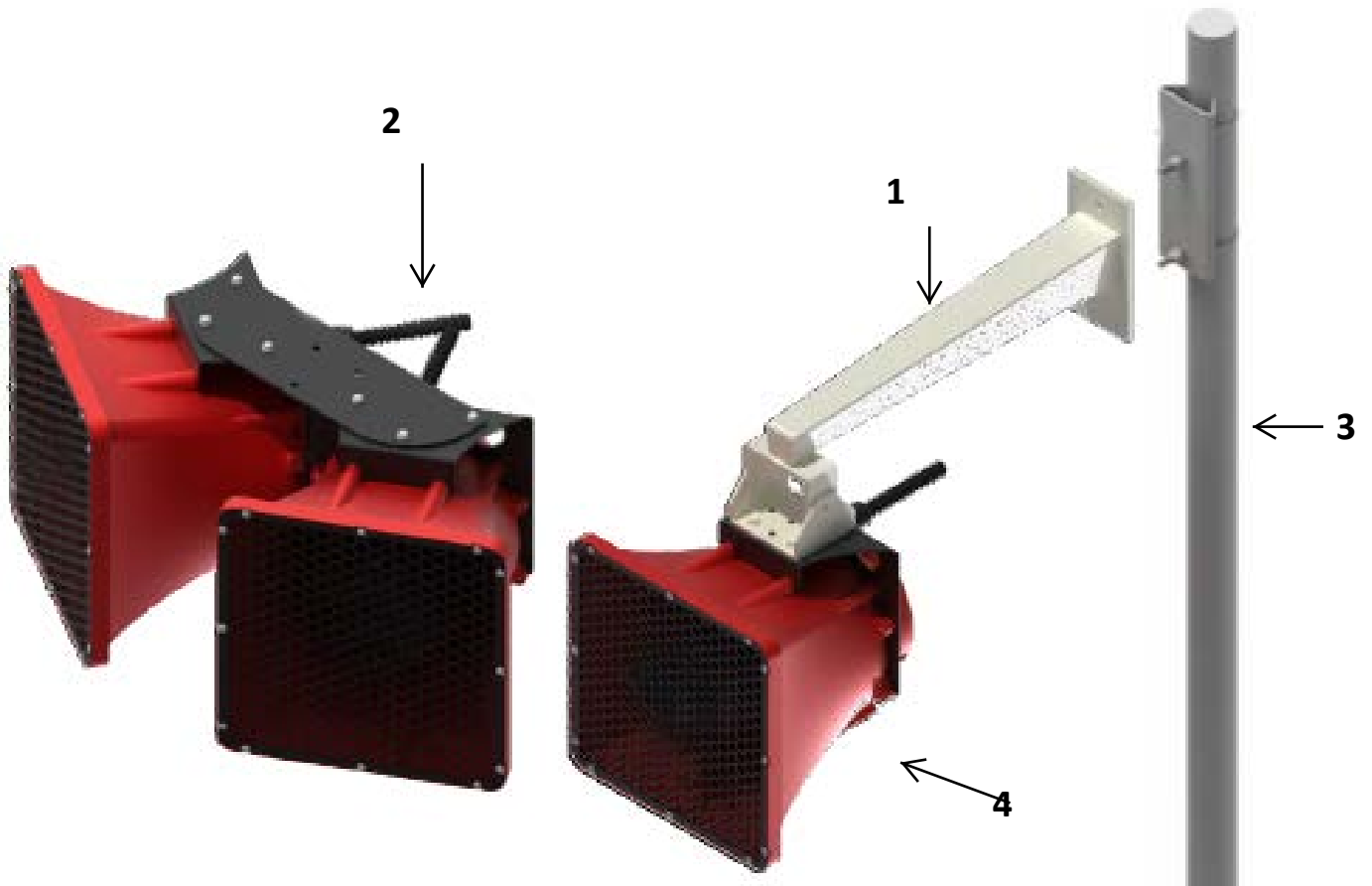
1.2. Magnacast II Distributed Audio Speaker

The Magnacast II Distributed Audio speaker has five field-selectable power taps that run off of 25V, 70V, and 100VRMS audio systems. The taps can easily be changed by turning a knob. The speaker has an integrated DC blocking capacitor that allows the fire alarm control panel to conduct circuit supervision. The speaker was designed to meet UL Standard 1480 (Speakers for Fire Protective Signaling Systems) and ULC S541 (Speakers for Fire Alarm Systems).

Magnacast II Distributed Audio Specifications:

Power Tap Selections and dB Rating	
	Broadband
100V Tap Setting	Speaker Output @ 1 meter (dB)
45W	139
32W	137
24W	136
16W	134
8W	131
70V Tap Setting	Speaker Output @ 1 meter (dB)
24W	136
16W	134
12W	133
8W	131
4W	129
25V Tap Setting	Speaker Output @ 1 meter (dB)
3W	128
2W	126
1.5W	124
1W	122
.5W	119

<u>ITEM</u>	<u>PART NUMBER</u>	<u>DESCRIPTION</u>	<u>ASSEMBLY CONTAINS PARTS</u>
1	G1068	Magnacast II Wall Mount Bracket	N/A
2	61069	Magnacast II Dual Unit Adapter	N/A
3	G1073	Magnacast II Pole Mount Adapter	N/A
4	G1052	Magnacast II Indoor/Outdoor Speaker, 24 watt	N/A
5	G1151	Magnacast II Speaker with Wall Mount Bracket	G1052 & G1068
6	G1152	Two Magnacast II Speakers with Dual Unit Adapter and Wall Mount Bracket	(2) G1052, G1068, G1069



Input voltage: 25,70,100 VRMS
Frequency Response: 400Hz – 7000Hz
Directionality: ± 30 degrees
Max Supervisory Voltage: 50VDC
Weight: 9 lbs
Dimensions: 10.0" H X 10.0" W X 10.7" L
Suitable for Outdoor Use

CAUTION: EXCEEDING THE MAXIMUM RATINGS OF THE SPEAKER WILL CAUSE EXCESSIVE DISTORTION AND MAY CAUSE PERMANENT DAMAGE TO THE SPEAKER AND ITS INTERNAL COMPONENTS.

2.0 MAGNACAST II MOUNTING

⚠ WARNING: WHEN MOUNTING OUTSIDE MAKE SURE THAT THE SUPPORT SYSTEM USED HAS THE PROPER WIND LOAD RATING AND COMPLIES WITH LOCAL STANDARDS AND CODES.

⚠ WARNING: THIS IS A FIRE ALARM DEVICE – DO NOT PAINT (NE PAS PEINTURER – DISPOSITIF D'ALARME)

The Magnacast II comes standard with a mounting bracket from which to hang the unit. The Magnacast II is provided with three feet of electrical leads in a ¼ Trade Size* flexible conduit exiting the back of the unit.

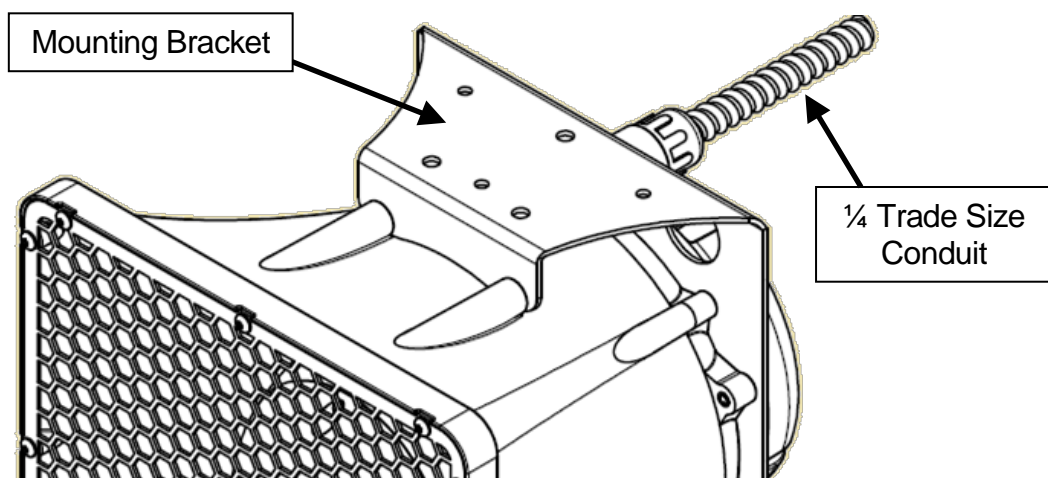


Figure 2: Mounting Bracket

* ¼ Trade Size Conduit has a nominal $\varnothing.39$ " ID / $\varnothing.57$ " OD

2.1. Single Mount

The Magnacast II is intended to be mounted from the mounting bracket. A typical mount will use a wall bracket. A double mounting bracket is available for hanging two speakers together for 180° of broadcast coverage (see section 2.2).

- 1) To mount a single Magnacast II, attach the mounting bracket to the wall bracket (optional accessory or customer supplied) with three ¼" screws/bolts (Figure 3).

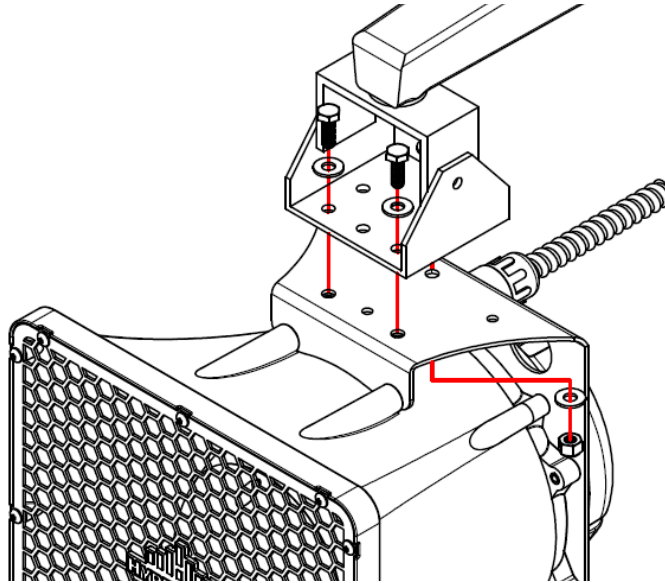


Figure 3: Attaching Wall Mounting Bracket

- 2) Attach the mounting bracket to the wall or pole with appropriate hardware according to local codes and safety practices.

2.2. Dual Mount

- 1) To mount two Magnacast II systems to the same wall mounting bracket, use an optional Dual Unit Mounting Adapter. Attach the dual mount plate to the Magnacast II mounting brackets with the hardware provided in the kit (Figure 4).

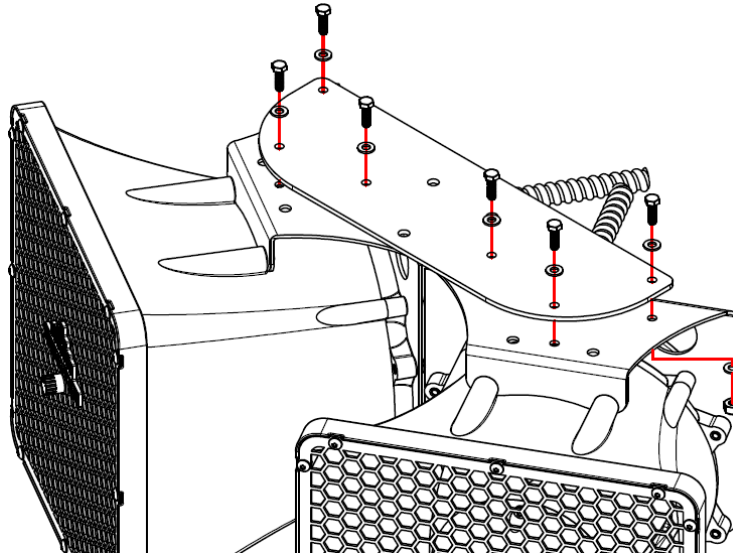


Figure 4: Attaching a Dual Mount Plate

- 2) Attach the wall mount bracket to the middle holes of the dual mount plate with three ¼ screws/bolts (Figure 5).

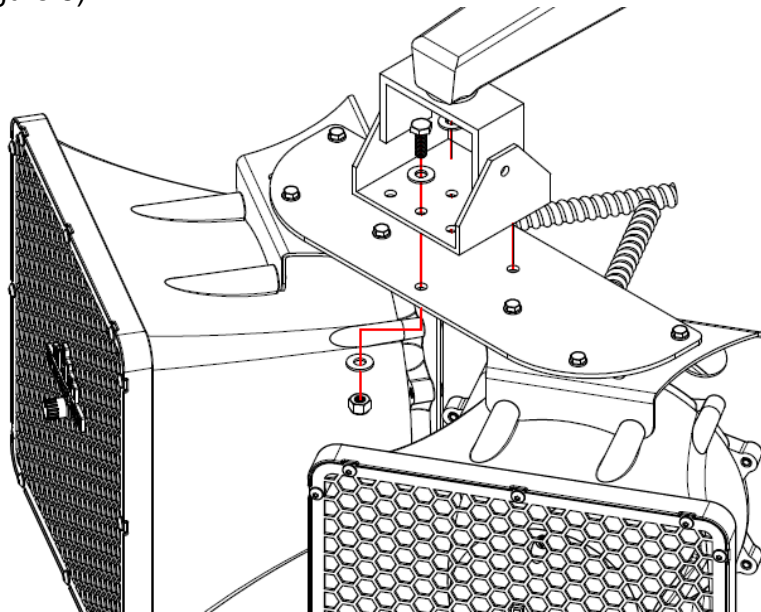


Figure 5: Attaching Dual Speaker System to a Wall Mounting Bracket

- 3) Attach the mounting bracket to the wall or pole with appropriate hardware according to local codes and safety practices.

2.3. Tether Attachment

- 1) A tether cable may be attached to all speakers by looping the cable through the large hole in the Magnacast II mounting bracket (Figure 6).

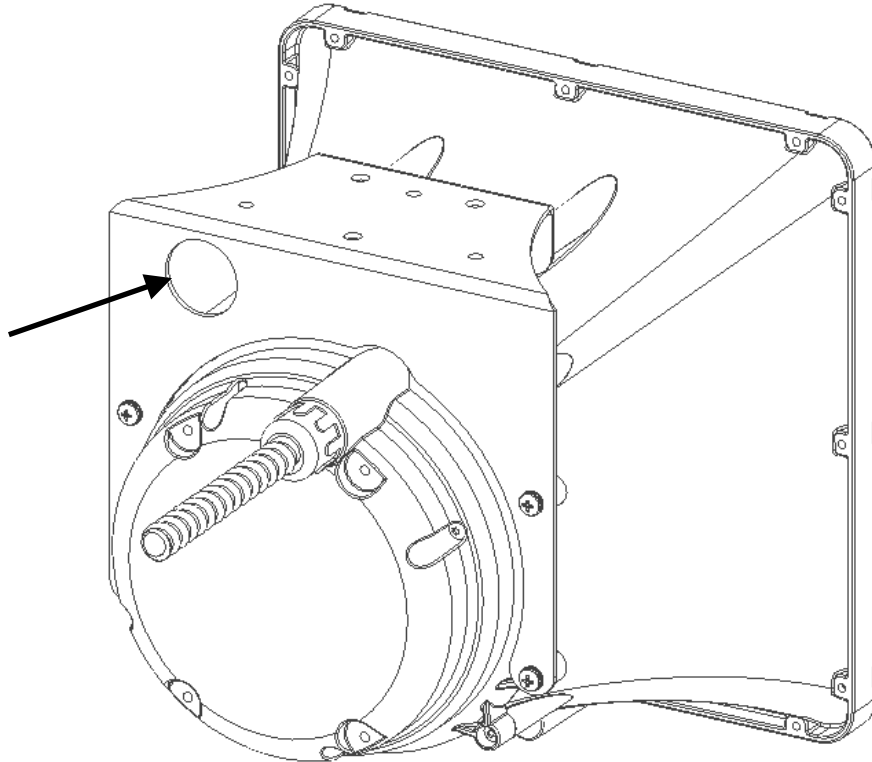


Figure 6: Tether Attachment Point

3.0 CHANGING THE POWER LEVEL – Distributed Audio version only

- 1) Change the power level by rotating the power selection knob to the desired choice (Figure 7).



Figure 7: Power Selection Knob

4.0 FIELD WIRING

4.1. Cable Routing

All Magnacast II systems come with a three-foot long weather-proof ¼ Trade Size flexible conduit and 42” leads.

Route the conduit to a junction box approved by local electrical codes and standards.

Follow your integrator’s instructions for installing into an appropriate junction system.

Lencore Acoustics Corp.
1 Crossways Park Drive West
Woodbury, NY 11797
516-682-9292
info@lencore.com
www.lencore.com